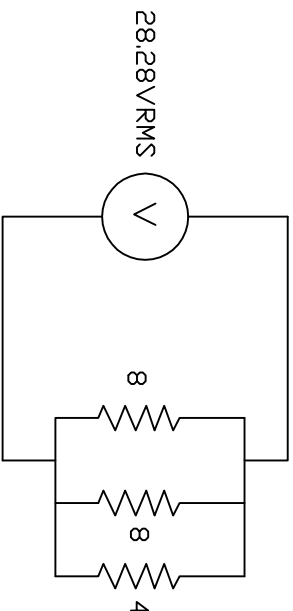


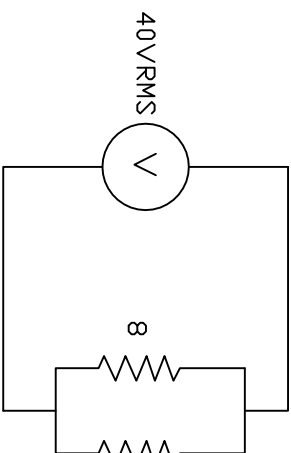
Using only three 200 watt resistors to create 2,4,8, 16 ohm, 400 watt loads

2 Ohms, Total Power = 400 watts



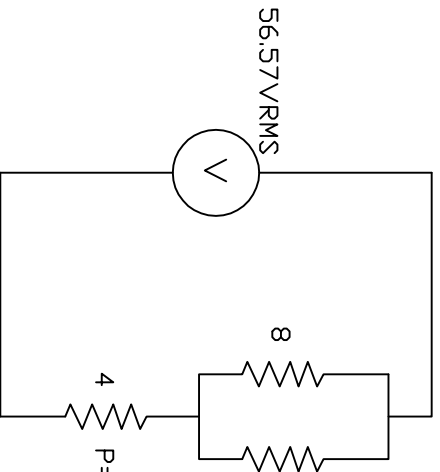
Total R =  $1 / (1/8 + 1/8 + 1/4) = 2$   
 ohms, each 8 ohm R gets 100 watts, the 4 ohm R gets 200W

4 Ohms, Total Power = 400 watts



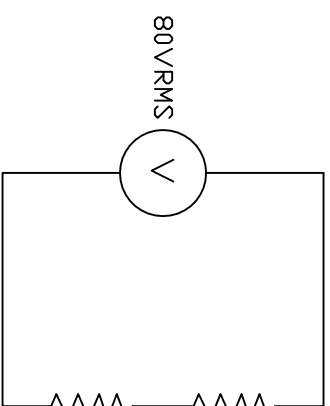
$P = V^2 / R = 40^2 / 8 = 200$  watts each

8 Ohms, Total Power = 400 watts



$P = V^2 / R = 28.285^2 / 8 = 200$  watts  
 $P = V^2 / R = 28.285^2 / 4 = 200$  watts

16 Ohms, Total Power = 400 watts



$P = V^2 / R = 40^2 / 8 = 200$  watts  
 $P = V^2 / R = 40^2 / 8 = 200$  watts